

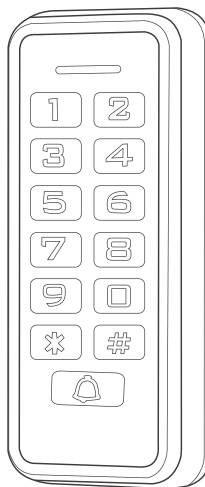


S4A Industrial Co., Limited



# WiFi Access Control Manual

## K33 WIFI / K35 WIFI



## 1.Product Introduction

The device is a WIFI access control keypad and proximity card reader,which supports EM & MF card types,it's one of the most advanced standalone access control.It adopts unique design, builds-in USA Atmel microprocessor, with strong anti-interference ability,high security and reliability,powerful function and convenient operation.It's widely used in high-end buildings, residential communities and other public places.

## 2.Features

Feature	Specification
Ultra-low power consumption	Standby current is less than 30mA
Protocol	Wiegand26 Input/Output
Searching time	Less than 0.1s after reading card
Backlight keypad	Easy to operate at night
Doorbell interface	Support external wired doorbell
Access ways	Card,code,card + code,Mobile APP

## 3.Technical Specifications

Operating Voltage: DC12-24V	Standby Current: ≤30mA
Card Reading Distance: 2 ~ 5cm	Capacity: 10000 Users
Operating Temperature: -40℃ ~ 60℃	Operating Humidity: 10% ~ 90%
Lock Output Load: ≤3A	Alarm Output Load: ≤20A
Short-circuit Protection Output Time: ≤100μS	Door Relay Time: 0 ~ 300s

## 4.Sound & Light Indication

Operate Status	LED Light Color	Buzzer
Standby	Red	
Keypad		Beep
Operation Successful	Green	Beep –
Operation Failed		Beep-Beep-Beep
Entering into Programming	Red	Beep –
Programmable Status	Orange	
Exit Programming	Flash Red Slowly	Beep –
Door Opening	Green	Beep –
Alarm	Flash Red Quickly	Alarm

## 5 Programming Guide

Function	Operation steps	Notes
Change admin code	* Admin code # 0 New code # New code #	Factory Default code is 999999. The user can set factory default value if admin code is forgotten
Add card user	* Admin code # 1 Read card #	Add card users continuously
Delete card user	* Admin code # 2 Read card #	Delete card users continuously
Delete all user	* Admin code # 20000 #	Delete all codes and cards
Add public code	* Admin code # 66 # 4-6 digits code #	There is only 1 public code
Delete public code	* Admin code # 67 # 4-6 digits code #	
Match WIFI	* Admin code # 63 #	

## 6. Advanced settings

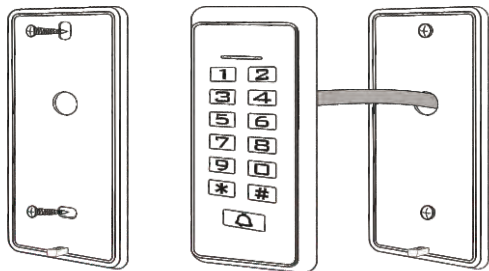
Add Users		Notes
Add card	* [Admin code] # 1 [Read card]...#	Add card users continuously
Add card number	* [Admin code] # 1 8 digits or 10 digits #	Automatically generate ID number from 1 to 10,000
Add ID number + card	* [Admin code] # 1 [ID number] # [Read card] # ... #	Add card users by specify ID number, find and delete easily
Add ID number + card number	* [Admin code] # 1 [ID number] # 8 digits or 10 digits # ... #	Add card users by specific ID number and card number, find and delete easily.
Add code	* [Admin code] # 1 [ID number] # code # # ... #	The code is any 4-6 digits, ID number is from 1-10,000, code 1234 is unavailable.
Delete Users		
Delete card	* [Admin code] # 2 [Read card] # # ... #	Delete card users continuously
Delete card number	* [Admin code] # 2 8 digits or 10 digits # #	Delete the card user by card number when the card is broken or get lost
Delete ID number	* [Admin code] # 2 [ID number] #	Delete the card user by ID number when the card is broken or get lost
Delete ALL users	* [Admin code] # 2 0000 #	Delete ALL codes, card users and public code.
Access ways		
By card only	* [Admin code] # 30 #	Enter by card only, keypad is invalid
By card + code	* [Admin code] # 31 #	To enable this function, the user code has to be changed. (See step 8)
By card or code	* [Admin code] # 32 #	Enter by card or code (factory default)
Relay Output Time		
Set door unlock time	* [Admin code] # 4 0~300 #	Time range is "0~300 sec", default 5 sec
Set alarm time	* [Admin code] # 5 0~99 #	Time range is "0~99 min", default 0 min

Door Open Detection / WIFI / Public PIN / Data backup		
Disable door contact	* [Admin code] # 60 #	Not detect the door status (Default)
Enable door contact	* [Admin code] # 61 #	Detect door open or closed, and alarm is activated under abnormal situation
WIFI Match	* [Admin code] # 63 #	WIFI Match
Add public code	* [Admin code] # 66 # 4-6 digits #	There is only 1 public code
Delete public code	* [Admin code] # 67 #	Delete public code
Data backup sending	* [Admin code] # 68 #	
Data backup receiving	* [Admin code] # 69 #	
Security Mode		
Normal mode	* [Admin code] # 70 #	(Default)
Locked mode	* [Admin code] # 71 #	The device will be locked for 10 minutes if input 10 times invalid cards or codes continuously
Alarm mode	* [Admin code] # 72 #	The device will alarm if input 10 times invalid cards or codes continuously.
Enable light indicator	* [Admin code] # 80 #	(Default)
Disable light indicator	* [Admin code] # 81 #	Turn it off when the indicator is unnecessary
Enable buzzer	* [Admin code] # 82 #	(Default)
Disable buzzer	* [Admin code] # 83 #	Turn it off when the beeper is unnecessary
Enable keypad backlight	* [Admin code] # 84 #	Keypad backlight on
Disable keypad backlight	* [Admin code] # 85 #	Keypad backlight off
Keypad backlight automatically	* [Admin code] # 86 #	(Factory default) read card or press the keypad, it will be off after 10 secs.
Standalone mode	* [Admin code] # 87 #	Factory default
Relay toggle mode	* [Admin code] # 88 #	The door will keep open until the user open the door next time.
Reader mode	* [Admin code] # 89 #	Factory default wiegand26 output
Reader mode	* [Admin code] # 89 26 #	Wiegand26 output
Reader mode	* [Admin code] # 89 34 #	Wiegand34 output
Change user code (No need to go to programming state)		
Change user code by card	* [Read card] 1234 # [New code] # [New code] #	★factory default code: 1234
Change user code by ID number	* [ID number] # [Old code] # [New code] # [New code] #	

9	<b>Relieve alarm (No need to go to programming state)</b>
	When external alarm or buzzer alarm, read <input type="text" value="Valid card"/> or Input <input type="text" value="Admin code"/> <input type="text" value="#"/> ,relieve alarm.
10	<b>Reset to factory default</b>
	Power off, press <input type="text" value="#"/> or exit button, then power on, release it until heard short BEEP sound twice, then admin code has been reset to 999999, factory default settings are successful. ★Reset to factory default won't delete user data

## 7.Installation

- Remove the back cover from the keypad using the supplied special screw driver
- Drill 2 holes on the wall for the self-tapping screws and 1 hole for the cable
- Put the supplied rubber bungs to into the two holes
- Fix the back cover firmly on the wall with 2 self tapping screws
- Thread the cable through the cable hole
- Attach the keypad to the back cover. (See the figure below)

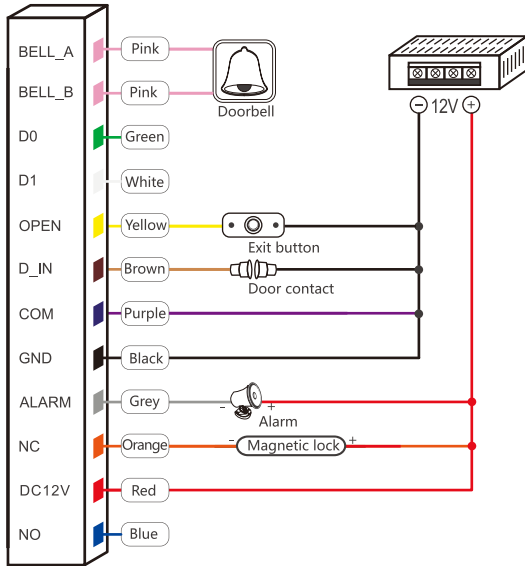


## 8.Wiring diagram

Item	Mark	Color	Function
1	BELL_A	Pink	Doorbell one end
2	BELL_B	Pink	Doorbell on the other end
3	D0	Green	Wiegand output
4	D1	White	Wiegand output
5	ALARM	Gray	Negative alarm(Positive alarm connects +12V)(Optional)
6	OPEN	Yellow	Exit button one end (On the other end connects GND)(Optional)
7	D_IN	Brown	Door contact switch one end(On the other end connects GND)(Optional)
8	DC12V	Red	Positive power supply
9	GND	Black	Negative power supply
10	NO	Blue	Relay NO end
11	COM	Purple	Relay COM end
12	NC	Orange	Relay NC end

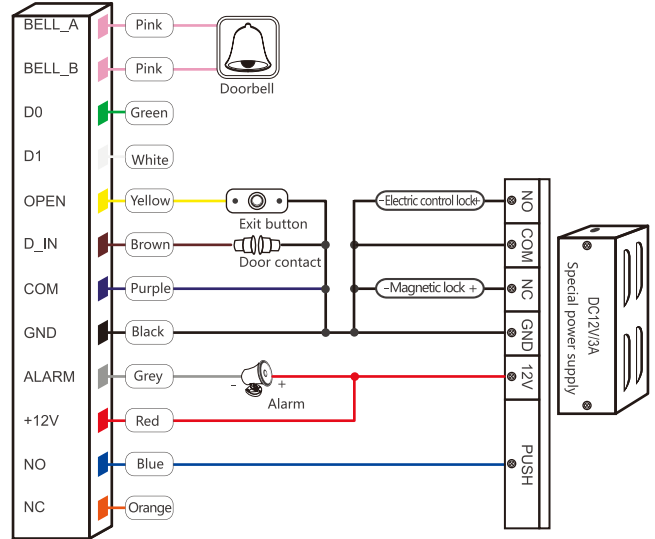
## 9. Diagram

### 9.1 Common Power Supply



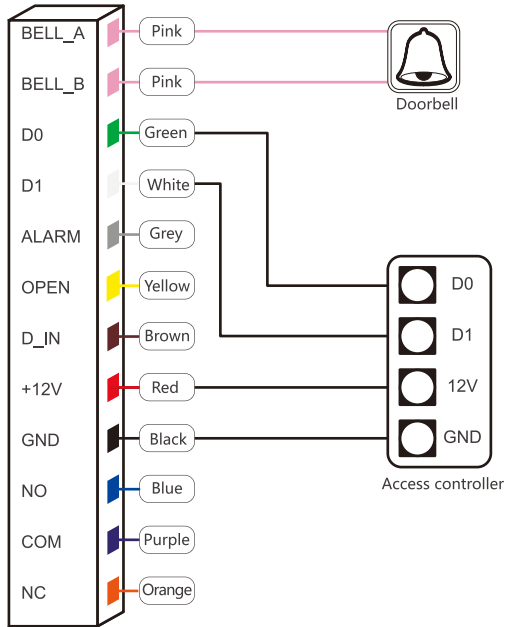
Note: The door contact and alarm function are optional

### 9.2 Special Power Supply



Note: The door contact and alarm function are optional

### 9.3 Reader Mode



### 10.Packing List

Name	Model/Size	Quantity	Remarks
Standalone access control		1	
User manual		1	
Self tapping screws	Φ4mm×25 mm	2	Used in fixing
Rubber plug	Φ6mm×28 mm	2	Used in fixing
Star screw driver	Φ20mm×60mm	1	Special for Keypad
Star screw	Φ3mm×5mm	1	Used in fixing front cover and back cover

#### Warm Tips

- \* Please don't maintain devices privately, any issues, please turn back to factory.
- \* To avoid unnecessary trouble, please check concealed wires or line pipes carefully if need to drill a hole before installation, moreover, please wear security glasses when drilling a hole or fixing wires.
- \* If upgrade, manual will be changed a little.