

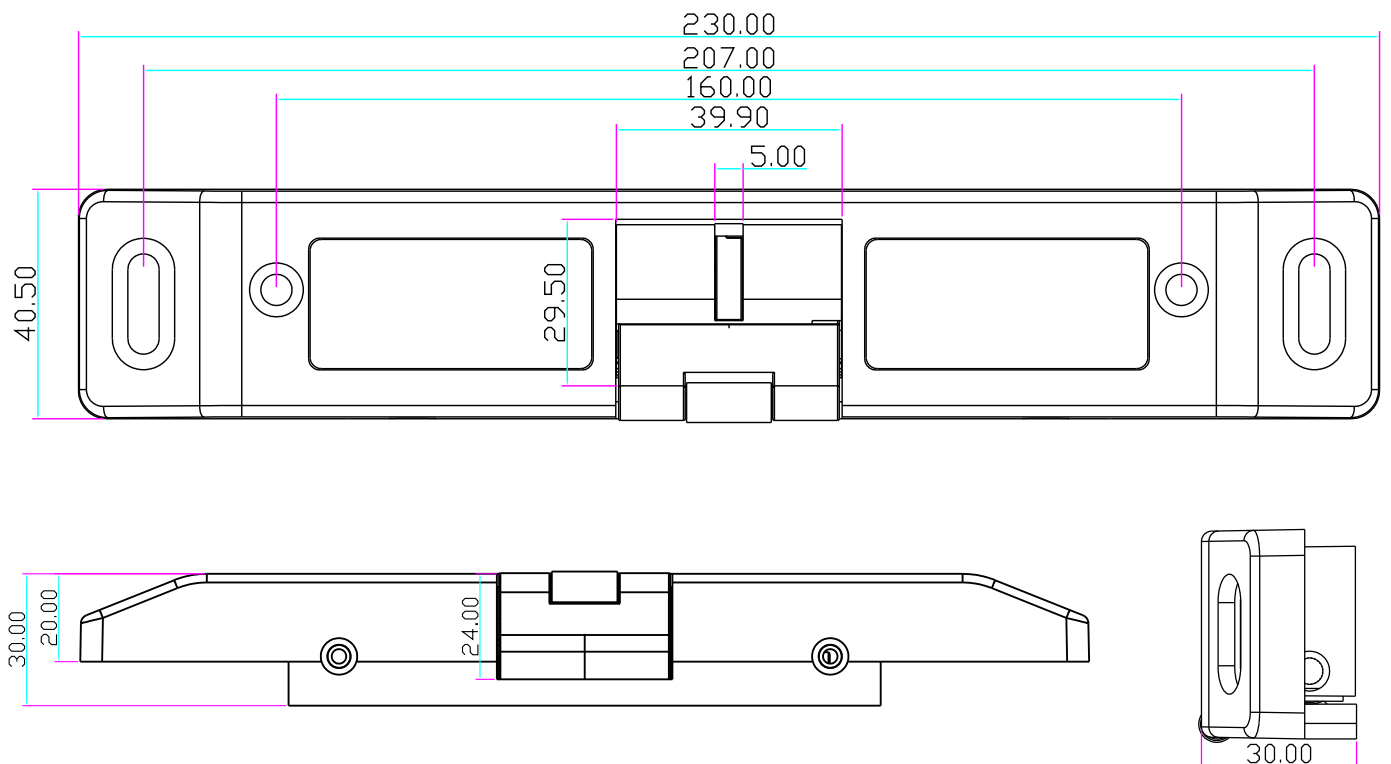
Electric Strike for Push Bar

Model: ES-170

Specification

Dimension	230L*40W*30H(mm)
Voltage	12V/320mA(24V need order)
Bolt Material	Harden 304 Stainless Steel
Feature	Fail Safe / Fail Secure adjustable
Signal Output	Lock sensor & Door sensor(NO/NC/COM)
Suitable for	European & American fire push bar
Special design	Applies to all brands of fire push rod lock
Durable design	Mechanical test: 1, 000, 000 times
Door Swing	90 degrees
Weight	0.75kg

Diagram(unit:mm)



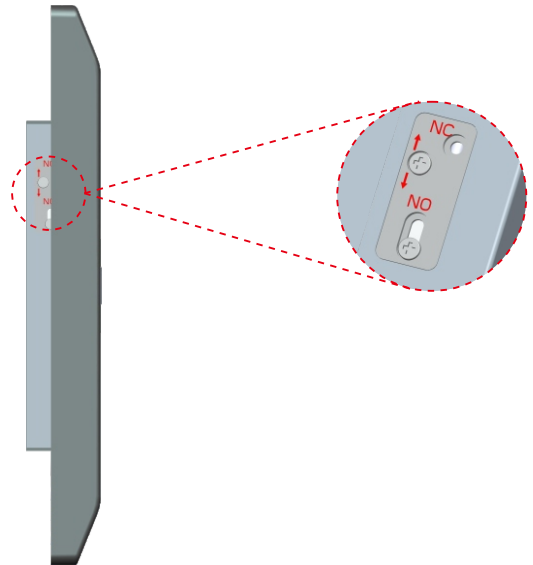
Signal Output

N.C. contact or access relay for fail safe setting.
 N.O. contact or access relay for fail secure setting.



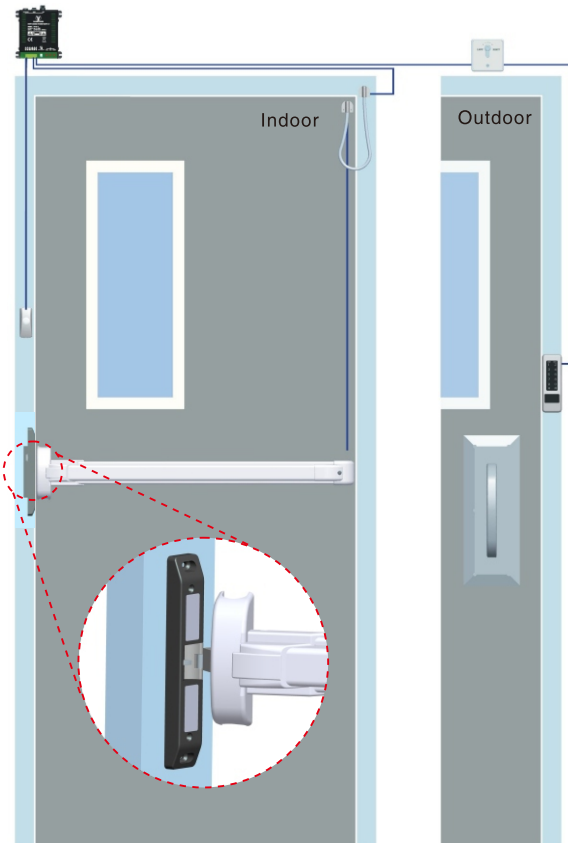
- | | |
|------------|--|
| Green: NO | } Door Status
N.C. contact output : open status
N.O. contact output : closed status |
| White: COM | |
| Yellow: NC | |
| Blue: NO | } Locked or Unlocked Status
N.O. contact output : unlocked status
N.C. contact output : locked status |
| Grey: COM | |
| Orange: NC | |
| Red: + | } 12VDC(Need order 24VDC) |
| Black: - | |

Adjustment



You can set the operation mode of Fail Safe or Fail Secure.
 Loosen the screw and tighten it in the other hole.
 Fail Safe(NC): When power off, the door is in the open status.
 Fail Secure(NO): When power off, the door is in the closed status.

Installation Diagram



Overall Dimensions

